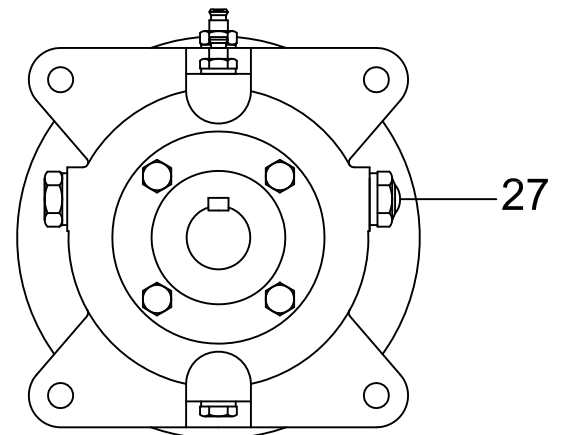
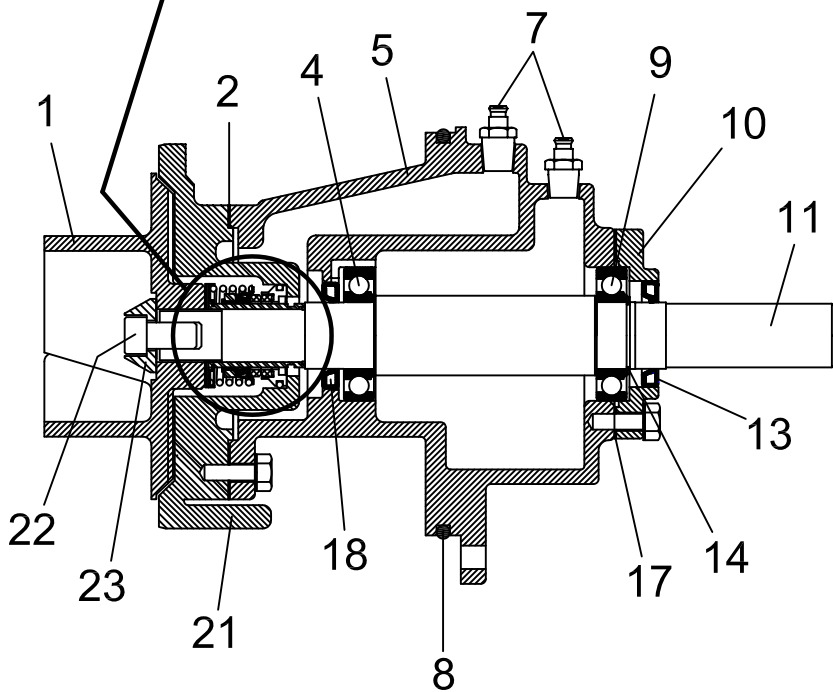
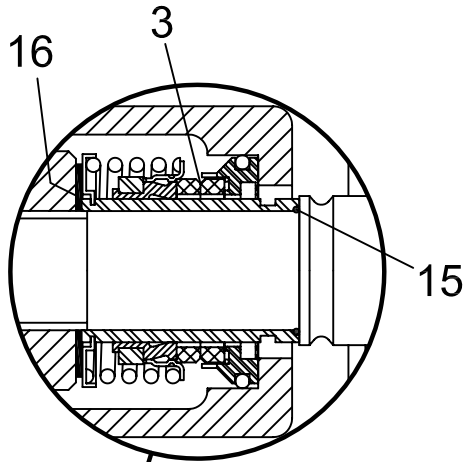
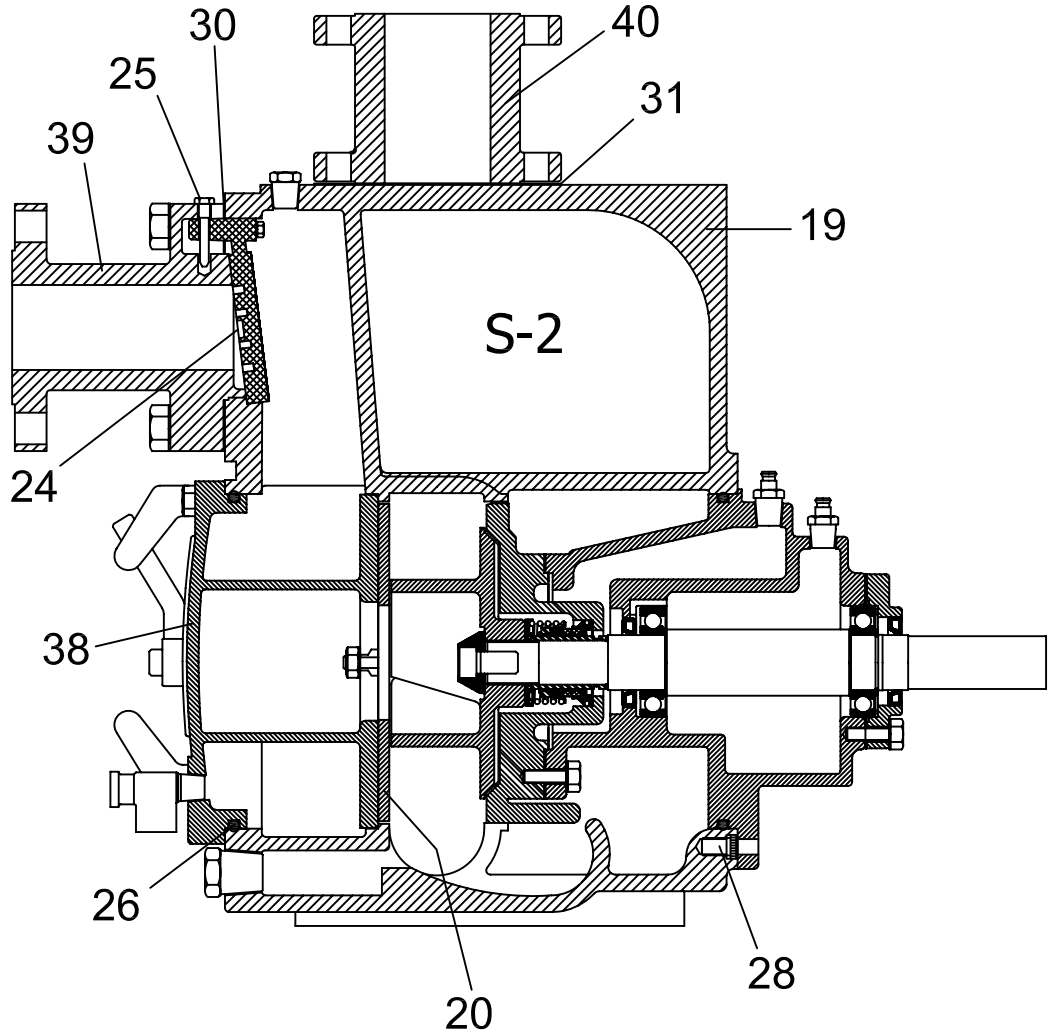
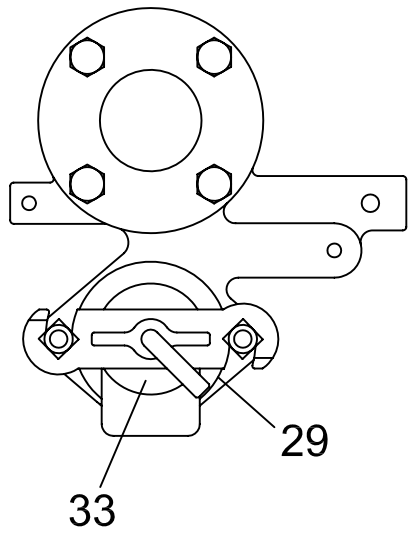


S-2 Parts



S-2 Parts



ALL PRIME PUMPS
p. 800-803-0353

<i>item</i>	<i>description</i>	<i>AP part no.</i>	<i>GR part no.</i>
1*	impeller S2 - D/I(std)	310.010.100	
1*	impeller S2 - CD4	310.010.104	
2*	gasket, seal plate S2	310.010.200	38687-556-20000
3*	seal, mech. - 1.5" (cart.w/sleeve) Δ	310.010.310	46513-151
3*	seal, mech. - 1.5" (comp.no-sleeve) ▲	310.010.300	12364A
4*	bearing, I/B - S2,S3,XS3	310.011.300	23252-013
5	housing, bearing S2 - C/I(std)	310.010.400	
7	vent, air	310.010.600	S1530 w/bushing
8*	o-ring - Buna	310.011.600	
8*	o-ring - Viton	310.011.601	
9	bearing, O/B - S2,S3,XS3	310.012.300	S1749
10	cap, bearing, S2,S3,XS3 - C/I(std)	310.010.900	38322-219-10010
11	shaft S2 - std Δ	310.011.100	
11	shaft S2 - 17-4 ▲	310.011.120	
13*	oil seal O/B - Nitrile	310.011.200	S1352
14	retaining ring, bearing	310.012.100	S244
15*	o-ring - Buna	310.012.500	25152-022 (S2088)
15*	o-ring - Viton	310.012.501	
16*	shims, impeller	310.011.500	37J-17090
17*	gasket, bearing cap, S2,S3,XS3	311.012.000	38683-268-18000
18*	oil seal I/B - Nitrile	310.011.200	S1352
19	casing S2 - C/I(std)	310.030.000	
20*	wear plate S2 - std	310.210.000	
20*	wear plate S2 - CD4	310.210.004	
21	seal plate S2 - C/I(std)	310.011.900	
21	seal plate S2 - CD4	310.011.904	
22	screw, impeller - std	310.011.700	F1004S-1500G
22	screw, impeller - SS	310.011.701	F1004S-1704G
23	washer, impeller S2 - std	310.011.820	
23	washer, impeller S2 - SS	310.011.821	
24*	check valve S2 - STD	310.120.000	
24*	check valve S2 - Viton	310.120.001	
25	pin, check valve S2	310.100.000	
26*	o-ring - Buna	310.190.000	
26*	o-ring - Viton	310.190.001	
27	sight gauge	310.011.400	S1471
28	screw, rot.ass'y adj.	310.080.000	
29*	gasket, fill cover (all but S12)	310.280.000	50G-19210
30*	gasket, suction flg. S2	310.090.000	
31	gasket, disch. flg. S2	310.040.000	
33	fill cover kit - std (bar,plate,gask,scrw)	310.350.000	
38	cover plate (clean-out) S2 - C/I(std)	310.130.000	
39	spool, suction S2 - C/I(std)	310.110.000	
40	spool, discharge S2 - C/I(std)	310.070.000	

Notes:

- 1a. p/n 310.010.310 mechanical seal, cartridge - includes sleeve o-ring, impeller shim set & sleeve.
- 1b. p/n 310.010.300 mechanical seal, component - includes sleeve o-ring, impeller shim set & NO sleeve.
- 2. parts are FOB Jacksonville, FL
- 3. * indicates recommended spares