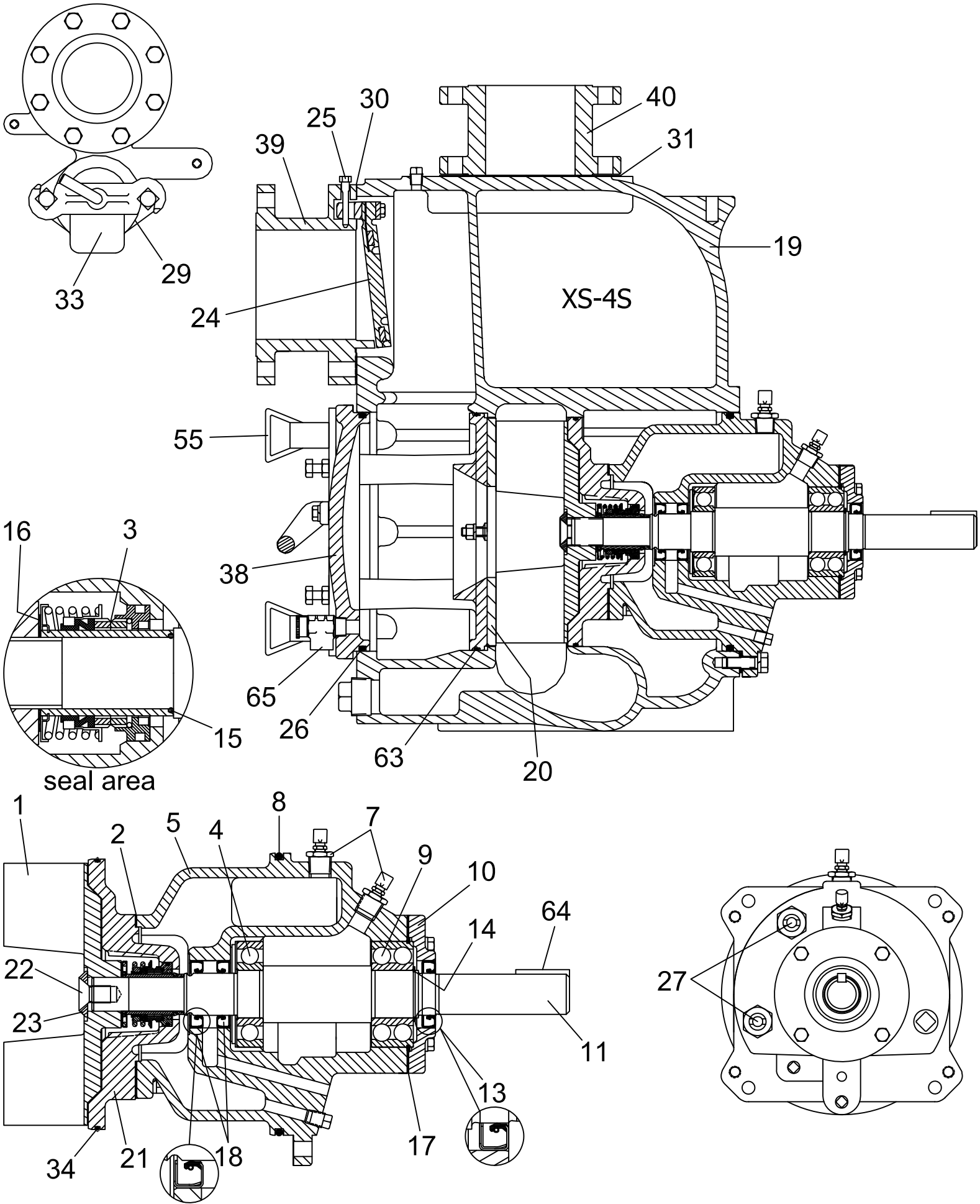


XS-4S Parts



XS-4S Parts



ALL PRIME PUMPS
p. 800-803-0353

<i>item</i>	<i>description</i>	<i>AP part no.</i>	<i>GR part no.</i>	<i>qty</i>
1*	impeller S4,XS4,XS4S - DI/STD	312.010.100	10528-11010	1
1*	impeller S4,XS4,XS4S - CD4	312.010.104	10528-1718H	1
2*	gasket, seal plate S346, XS346, I34	311.010.200	10959G-20000	1
3*	seal, mech. - 1.5" (cart.w/sleeve) Δ	310.010.310	46513-151	1
3*	seal, mech. - 1.5" (comp.no-sleeve) ▲	310.010.300	12364A	1
4*	bearing, I/B - XS4,XS4S	312.011.350	S1088	1
5	housing, bearing, XS4,XS4S - STD	312.010.450	38251-411-10000	1
7	vent, air	310.010.600	S1530 w/bushing	2
8*	o-ring - Buna	312.011.600	S1674	1
8*	o-ring - Viton	312.011.601	25154-449	1
9*	bearing, O/B - XS4,XS4S	312.012.350	S375	1
10	cap, bearing, XS4,XS4S - STD	312.010.950	38322-220-10000	1
11	shaft XS4,XS4S - STD (sleeve type) Δ	312.011.150	38514-817-16040	1
11	shaft XS4,XS4S - 17-4 (no-sleeve type) ▲	312.011.160	38514-819-1706H	1
13*	oil seal O/B - Nitrile	310.011.200	S1352	1
14	retaining ring, bearing	310.012.150	S442	1
15	o-ring - Buna	310.012.500	25154-022 (S2088)	1
15	o-ring - Viton	310.012.501	25154-022	1
16	shims, impeller	310.011.500	37J-17090	1
17*	gasket, bearing cap, XS4,XS4S	312.012.050	38683-271-18000	1
18*	oil seal I/B - Nitrile	310.011.200	S1352	2
19	casing XS-4S - STD	312.030.010		1
20*	wear plate S4,XS4,XS4S - STD	312.210.000	10532A-15990	1
20*	wear plate S4,XS4,XS4S - CD4	312.210.004	10532A-1718H	1
21	seal plate S4,XS4,XS4S - STD	312.011.900	38272-234-10010	1
21	seal plate S4,XS4,XS4S - CD4	312.011.904	38272-234-1718H	1
22	screw, impeller - STD	310.011.700	F1004S-1500G	1
22	screw, impeller - SS	310.011.701	F1004S-1704G	1
23	washer, impeller - STD	310.011.800	31167-029-16000	1
23	washer, impeller - SS	310.011.801	31167-029-1706H	1
24*	check valve S4,XS4,XS4S - STD	312.120.000	46411-062	1
24*	check valve S4,XS4,XS4S - Viton	312.120.001	46411-072	1
25	pin, check valve S2,S4,XS4,XS4S,I4	310.100.000	11557-17010	1
26*	o-ring, (clean-out) O/B - Buna	312.011.600	S1674	1
26*	o-ring, (clean-out) O/B - Viton	312.011.601	25154-449	1
27	sight gauge	310.011.400	S1471	2
29*	gasket, fill cover (all but S12)	310.280.000	50G-19210	1
30	gasket, suction flg. S4,XS4,XS4S,I4	312.090.000	11389G-19370	1
31	gasket, disch. flg. S4,XS4,XS4S,I4	312.040.000	25113-034	1
33	fill cover kit - STD (bar,plate,gask,scrw)	310.350.000		1
34*	o-ring - Buna	312.012.600	25152-273	1
34*	o-ring - Viton	312.012.601	25154-273	1
38	cover (clean-out) XS-4S - STD	312.130.010		1
39	spool, suction S4,XS4,XS4S,I4 - STD	312.110.000	12066-10010	1
40	spool, discharge S4,XS4,XS4S,I4 - STD	312.070.000	12066A-10010	1
55	back cover wing nut XS-S - STD	310.131.302		4
63*	o-ring, (clean-out) I/B - Buna	312.012.600	25152-273	1
63*	o-ring, (clean-out) I/B - Viton	312.012.601	25154-273	1
64	shaft key	312.011.200	N0608-15990	1
65	pressure relief valve	310.010.500	26662-005	1

Notes:

- 1a. p/n 310.010.310 mechanical seal,
- 1b. p/n 310.010.300 mechanical seal,
2. parts are FOB Jacksonville, FL
3. * indicates recommended spares

- cartridge - includes sleeve o-ring, impeller shim set & sleeve.
- component - includes sleeve o-ring, impeller shim set & NO sleeve.